

Series 5800 Pump

Model: 58XX-7X12-A424

Flow Range: Open Flow = .55-.95 GPM

At 70 PSI = .29-.50 GPM

COMPLETING THE PART NUMBER:

58XX-7X12-A424

Steel Mounting Plate (Other Types Available)

Desired Shut-off Pressure & Code

A = 30PSI C = 45PSI E = 60PSI

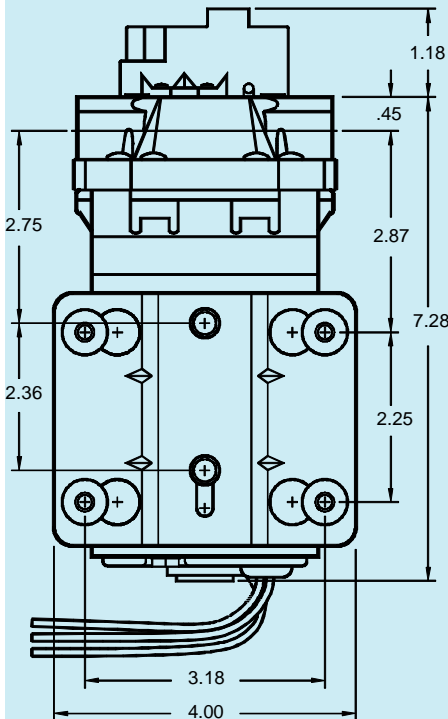
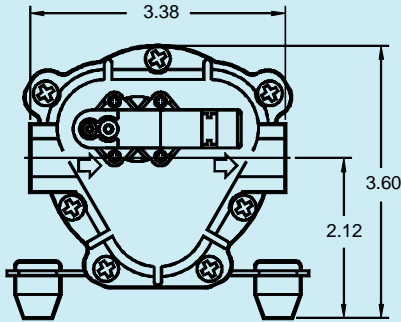
B = 40PSI D = 50PSI F = 70PSI

70 PSI Pressure Switch Limit (Maximum Flow Components)

Select Pumphead Model From Performance Data Chart

3 = Open Ports for 3/8" Compression Fitting

5 = Push-to-Connect Ports for 3/8" Tubing



WEIGHT: 6 lbs.

SPECIFICATIONS:

■ MOTOR:

TYPE:

24 VAC, Permanent Magnet,
Totally Enclosed, Non-Ventilated

LEADS:

20 AWG, 6" LONG

TEMP. LIMITS:

This Motor is Not Equipped with Thermal Protection. For User Safety, Optimal Performance, and Maximum Motor Life, The Motor Surface Temperature Should Not Exceed 150°F (66°C), as Shown on the Heat Rise Graph. See Heat Rise Graph

DUTY CYCLE:

■ PUMP DESIGN:

3 Chamber Diaphragm Pump, Self Priming,
Capable of Being Run Dry

■ TYPICAL APPLICATION:

Beverage and Drinking Water Delivery

■ MATERIALS:

HOUSINGS:

Polypropylene

VALVES:

EPDM

DIAPHRAGM:

Santoprene

FASTENERS:

Stainless Steel

■ LIQUID TEMPERATURE:

140°F (60°C) Max.

■ PUMP CERTIFICATIONS:

NSF Standard 58

■ PRIMING CAPABILITIES:

	58X0	58X1	58X2	58X3	58X4
PRIME (FEET)	5	5.5	6	9	9.5

■ FITTINGS:

TYPE	SHAPE	KIT NO.	CONNECTS TO...
3/8" COMPRESSION	STRAIGHT	25-145	3/8" TUBING
3/8" COMPRESSION	ELBOW	25-146	3/8" TUBING
3/8" STEM	STRAIGHT	25-144	3/8" JOHN GUEST PUSH-ON FITTING



Aquatec Water Systems, Inc.
17422 Pullman
Irvine, CA 92614
Sales: 949-225-2200
Fax: 949-225-2222

DOCUMENT:
ISSUED:
REVISED:

DS58XX-7X12-A424
12/10/99
12/10/99

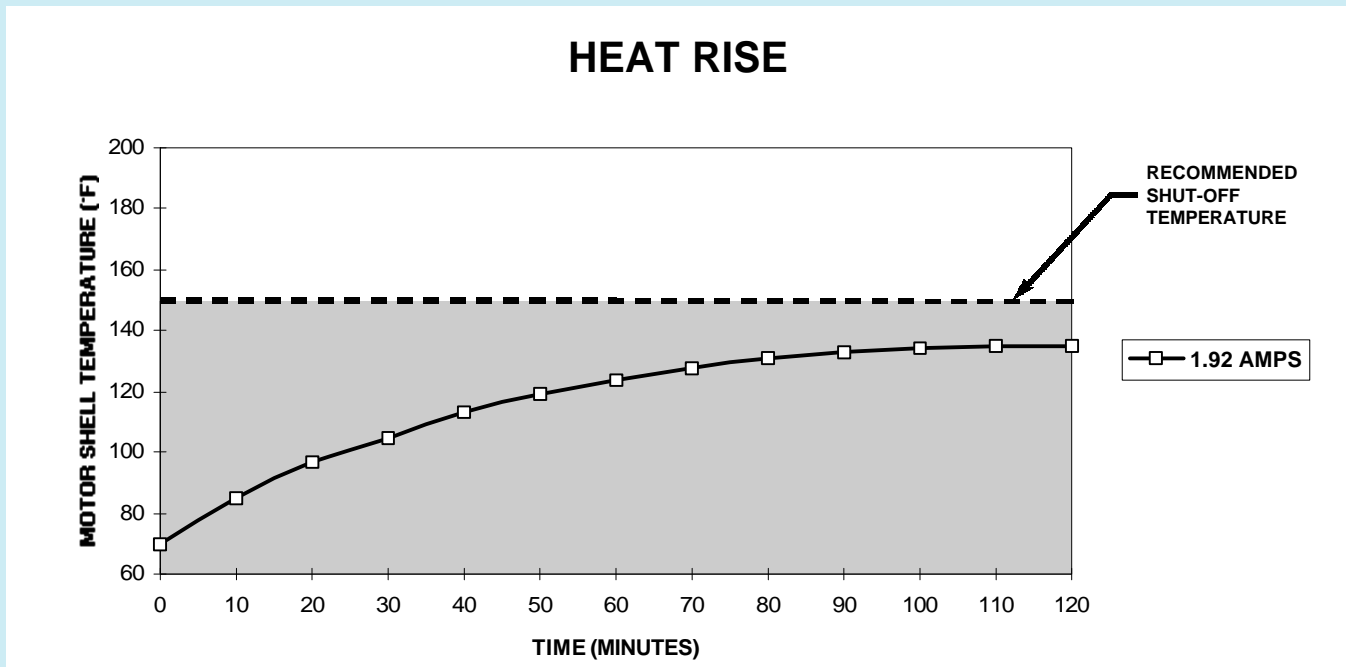
Series 5800 Pump

Model: 58XX-7X12-A424

PERFORMANCE DATA										
DISCHARGE	PUMPHEAD MODEL									
PRESSURE	58X0		58X1		58X2		58X3		58X4	
(PSI)	FLOW (GPM)	CURRENT (AMPS)	FLOW (GPM)	CURRENT (AMPS)	FLOW (GPM)	CURRENT (AMPS)	FLOW (GPM)	CURRENT (AMPS)	FLOW (GPM)	CURRENT (AMPS)
70	0.29	1.08	0.33	1.27	0.40	1.55	0.46	1.77	0.50	1.92
60	0.32	1.00	0.37	1.18	0.45	1.41	0.50	1.62	0.55	1.76
50	0.35	0.90	0.40	1.07	0.48	1.28	0.56	1.47	0.61	1.59
40	0.38	0.82	0.44	0.96	0.51	1.18	0.61	1.33	0.68	1.41
30	0.42	0.74	0.48	0.83	0.58	1.00	0.69	1.15	0.77	1.23
20	0.47	0.63	0.53	0.72	0.66	0.84	0.78	1.00	0.86	1.05
10	0.52	0.52	0.60	0.58	0.77	0.70	0.87	0.84	0.93	0.88
OPEN	0.55	0.50	0.63	0.56	0.80	0.65	0.90	0.80	0.95	0.85

PERFORMANCE MEASURED WITH FLOODED INLET (0 PSI), 70°F (21°C) AMBIENT AND WATER TEMPERATURE, AND VOLTAGE CONTROLLED AT 24 VAC. POSITIVE INLET PRESSURE WILL INCREASE THE DISCHARGE PRESSURE BY A SIMILAR AMOUNT, FOR A GIVEN FLOW. MAXIMUM INLET PRESSURE IS 60 PSI.

SHADED AREA DENOTES CONTINUOUS OPERATION CAPABILITY AT DESIGNATED PRESSURE AND CURRENT.



All of the pump models in the Performance Data and Heat Rise charts are in the shaded area, meaning they are capable of sustaining continual running, at any of the above listed pressures, without shutting down to allow the motor to cool. To conserve wearing parts, however, the pump should only operate as needed.

Care should be exercised in selecting the proper transformer for this 24 VAC motor. The largest “wall mount” transformer from Aquatec is only rated to .80 amps. Aquatec’s “table top” transformer is rated to 2.00 amps. By-Pass pressures must also be considered when selecting a suitable transformer, in the event the pump is allowed to reach the preset by-pass pressure for sustained periods.

ALL PERFORMANCE AND HEAT RISE FIGURES ARE APPROXIMATE. ACTUAL VALUES WILL VARY WITH AMBIENT CONDITIONS.